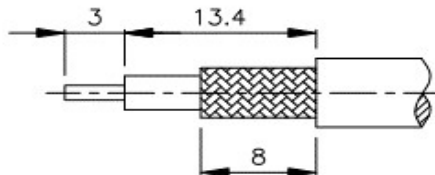


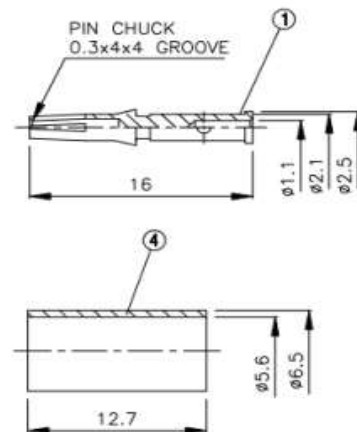
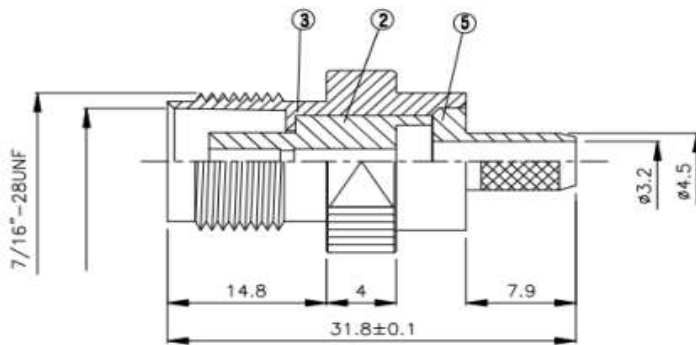
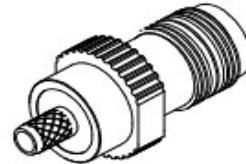
# T-516

## TNC Kupplung crimp

### RG58, RF195, HF50



(Recommended Stripping Dimension)



NO	DESCRIPTION	MATERIAL	Q'TY	FINISH
1	PIN	BRASS	1	GOLD
2	INSULATION	DELTRIN	1	DELTRIN
3	BODY 1	BRASS	1	NICKEL
4	RING	BRASS	1	NICKEL
5	BODY 2	BRASS	1	NICKEL